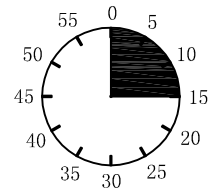
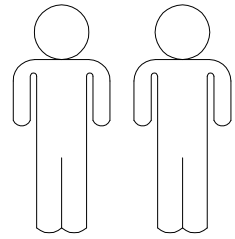
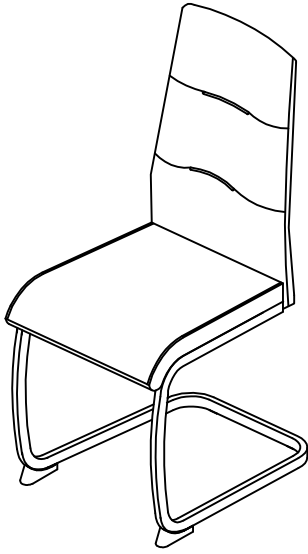


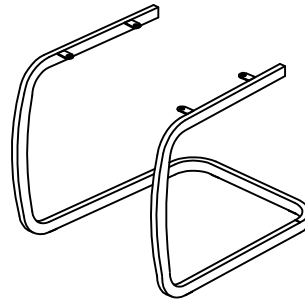
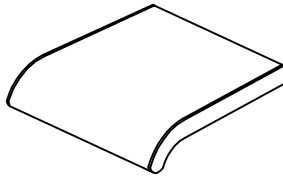
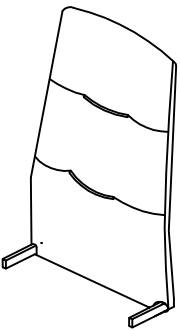
# Ria



1

2

3



1	1X
2	1X
3	1X

A

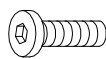
M6\*12



4X

B

M6\*18



4X

C

Ø18\*Ø6.5\*1.5



4X

D

M4\*20



4X

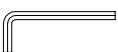
E



2X

F

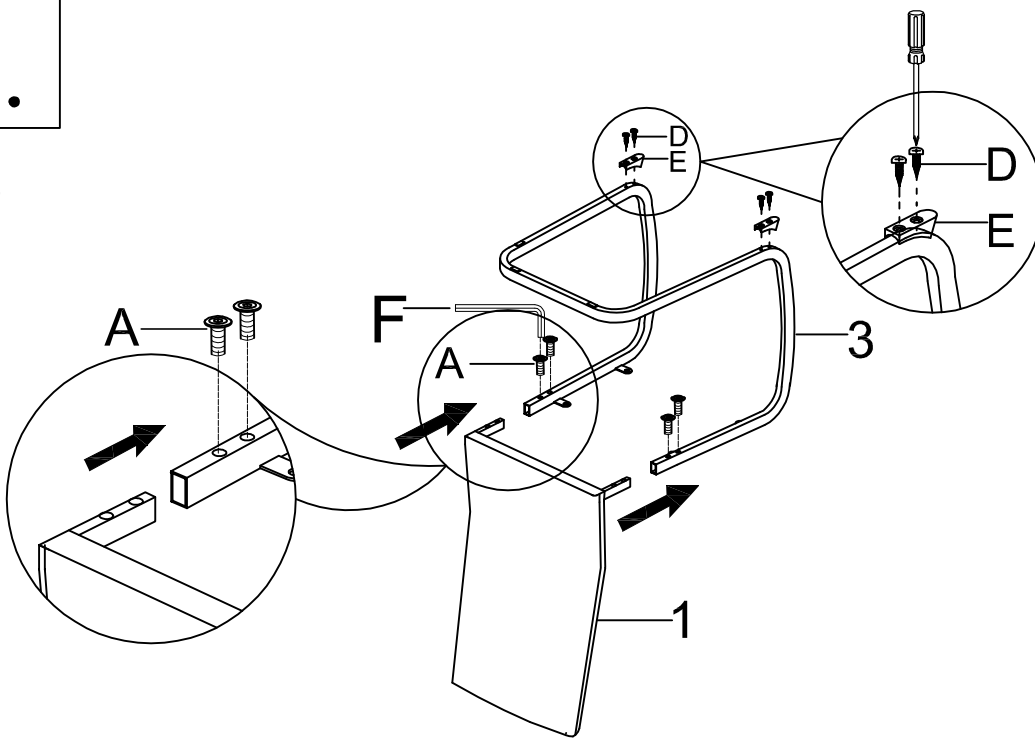
4mm



1X

I.

1.



A

M6\*12



4X

D

M4\*20



4X

E



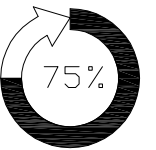
2X

F

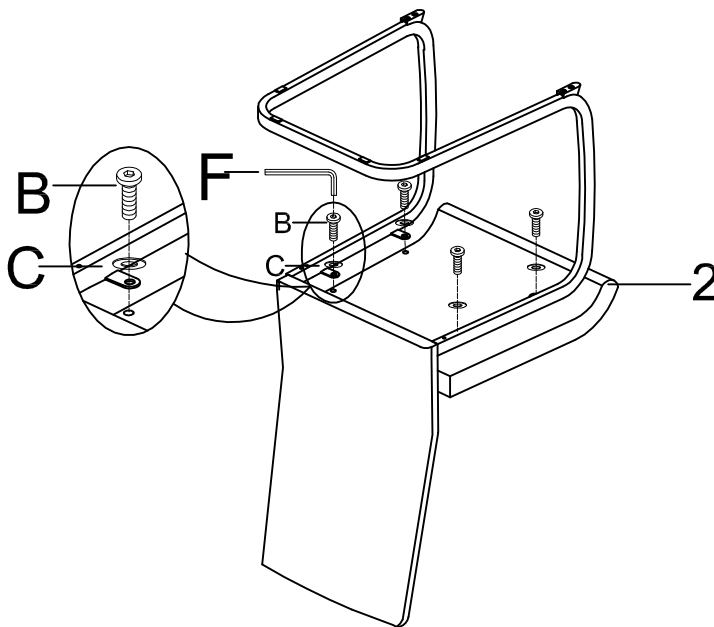
4mm



1X



2.



B

M6\*18



4X

C

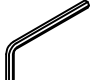
Ø18\*Ø6.5\*1.5



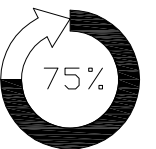
4X

F

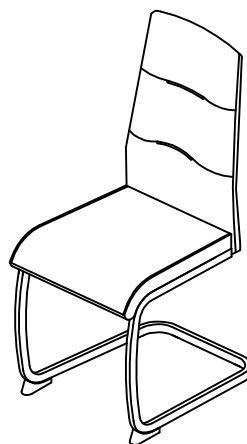
4mm



1X



3.



F

4mm



1X

